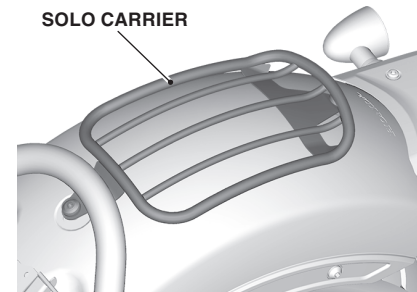


COMMON

- Added accessories can affect a motorcycle's stability, performance and safe riding speed.

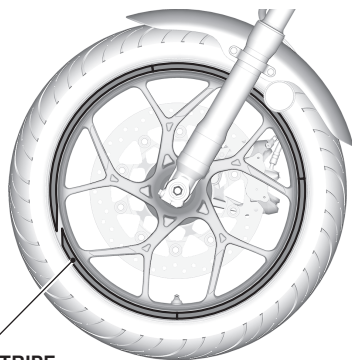
SOLO CARRIER



- The weight of the cargo must not exceed the following maximum loading capacity:
1.5 kg (3.3 lb)

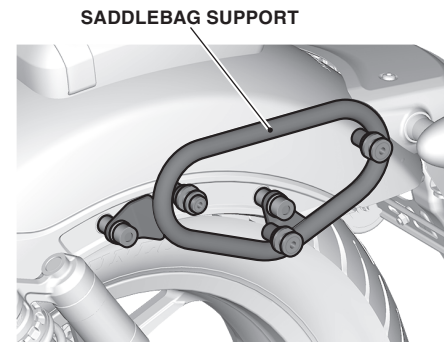
- Check the accessory mounts frequently.
- Clean this accessory with a soft cloth soaked with a solution of mild detergent and water. Then wipe with a clean cloth soaked with water to clean dirt and detergent. Finally wipe dry with a soft, clean cloth.

WHEEL STRIPE



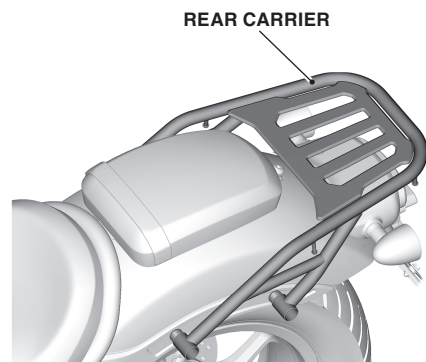
- Check the accessory mounts.
- Clean this accessory with a soft cloth soaked with a solution of mild detergent and water. Then wipe with a clean cloth soaked with water to clean dirt and detergent. Finally wipe dry with a soft, clean cloth.
- Do not wash the motorcycle with a high-pressure washer, as this may peel off the wheel stripes.

SADDLEBAG SUPPORT



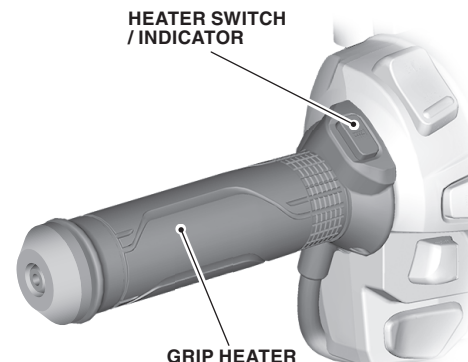
- Check the accessory mounts frequently and retighten if necessary.
- Clean this accessory with a soft cloth soaked with a solution of mild detergent and water. Then wipe with a clean cloth soaked with water to clean dirt and detergent. Finally wipe dry with a soft, clean cloth.

REAR CARRIER



- The weight of the cargo must not exceed the following maximum loading capacity:
3.0 kg (6.6 lb)
- Check the accessory mounts frequently and retighten if necessary.
- Clean this accessory with a soft cloth soaked with a solution of mild detergent and water. Then wipe with a clean cloth soaked with water to clean dirt and detergent. Finally wipe dry with a soft, clean cloth.

GRIP HEATER

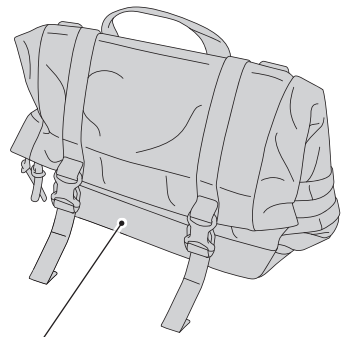


- This accessory is replaced with the grip heater combined with the throttle pipe. Therefore, the throttle operation has a different feeling after installation.
- Check the accessory mounts frequently.
- Clean this accessory with a soft cloth soaked with a solution of mild detergent and water. Then wipe with a clean cloth soaked with water to clean dirt and detergent. Finally wipe dry with a soft, clean cloth.

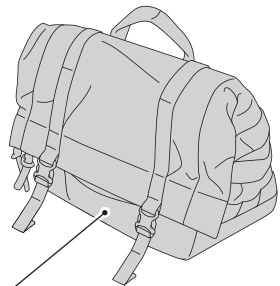
HOW TO USE THE GRIP HEATER

- For operating instruction, refer to the Owner's Manual of the grip heater kit.

SADDLEBAG



LEFT SADDLEBAG

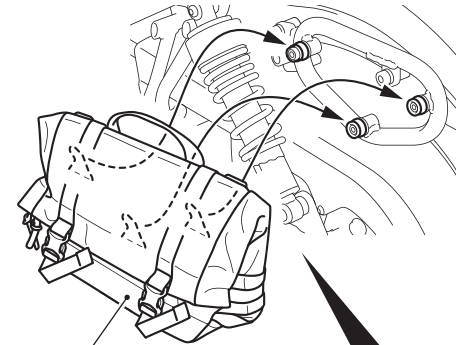


RIGHT SADDLEBAG

- The weight of the cargo must not exceed the following maximum loading capacity:

Left saddlebag	3.0 kg (6.6 lb)
Right saddlebag	3.0 kg (6.6 lb)

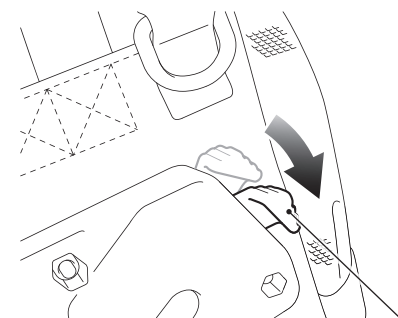
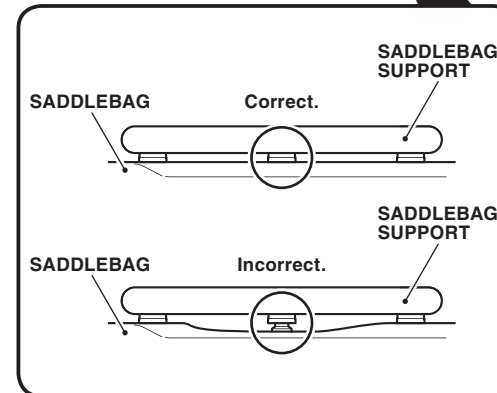
- Check that saddle bags and straps do not interfere with the motorcycle body. Pay special attention to hot parts and rotating parts.
- Check that the fastener is closed and the strap is tightened before riding.
- The inner bag is made of a material that is resistant to water from the outside, but is not completely waterproof due to its structure. There is a possibility of internal condensation or inundation due to the influence of heat while riding, running in the rain for a long time, or motorcycle washing.
- Due to the nature of the inner bag, do not store dangerous items, sharp objects, protrusions, or valuables.
- Check the accessory mounts frequently.
- Clean this accessory with a soft cloth soaked with a solution of mild detergent and water or a cleaner.
- If this accessory becomes completely wet (water has soaked through the material), remove this accessory and allow it to air dried at room temperature. Never dry this accessory in a dryer, in front of a heater, or near a fireplace.



LEFT SADDLEBAG

HOW TO INSTALL THE SADDLEBAG

1. Install the left saddlebag as shown.
 - Be sure that saddlebag is installed securely.
 - Repeat on the right side.

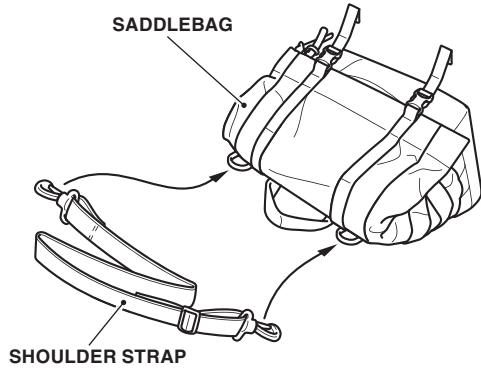


LEVER

HOW TO REMOVE THE SADDLEBAG

1. Lower the lever as shown and remove the left saddlebag.
 - Repeat on the right side.

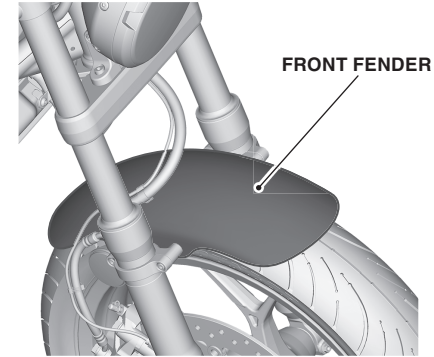
SHOULDER STRAP



HOW TO USE THE SHOULDER STRAP

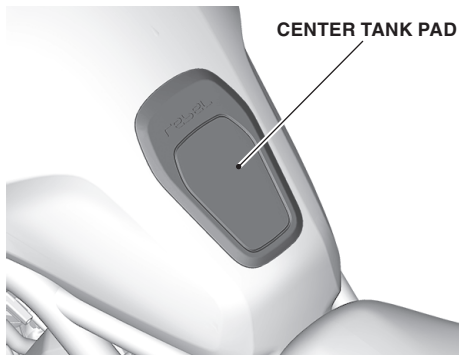
1. Hook the shoulder strap as shown.
 - Always store the shoulder strap when not in use.
 - Use the shoulder strap when carrying the saddlebag.

FRONT FENDER



- Check the accessory mounts frequently.
- Clean this accessory with a soft cloth soaked with a solution of mild detergent and water. Then wipe with a clean cloth soaked with water to clean dirt and detergent. Finally wipe dry with a soft, clean cloth.

CENTER / SIDE TANK PAD

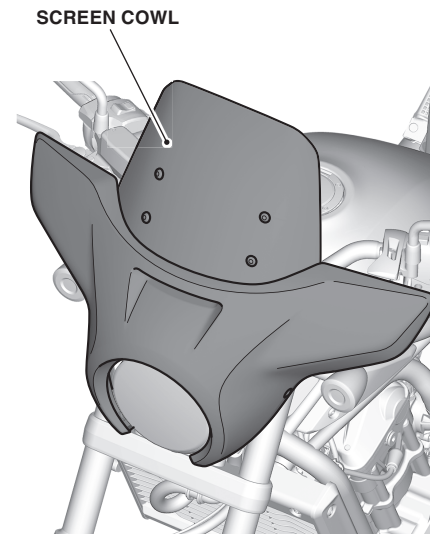


- Check the accessory mounts.
- Clean this accessory with a soft cloth soaked with a solution of mild detergent and water. Then wipe with a clean cloth soaked with water to clean dirt and detergent. Finally wipe dry with a soft, clean cloth.



SIDE TANK PAD

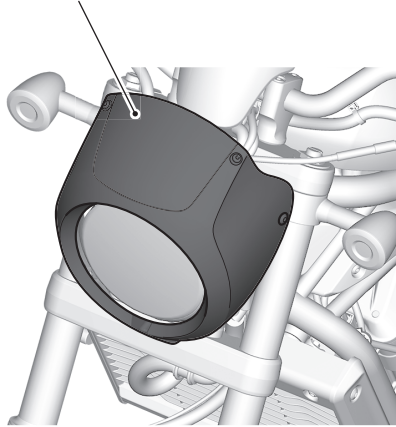
SCREEN COWL



- Handle this accessory with care. It can be damaged when it is bent excessively or is subject to strong shock or impact.
- Park the motorcycle in the shade when it is to be left unattended in the summer for an extended period of time with a body cover placed over it.
- Failure to observe this precaution can cause this accessory to be deformed due to heat built up under the body cover.
- Select a firm, level surface when you park the motorcycle. Also bear in mind that strong wind can cause the motorcycle to topple to the ground.
- Check the accessory mounts frequently and retighten if necessary.
- When this accessory becomes dirty, rinse it thoroughly with cool water to remove loose dirt, then wipe with a clean cloth or sponge. Do not use a brush to clean this accessory as it may scratch the surface.
- Never use organic solvents such as gasoline, thinner or benzene to clean this accessory. Also do not use acid or alkaline cleaners.
- Wipe up spilled brake fluid at once as it may damage the plastic surface.

HEADLIGHT COWL

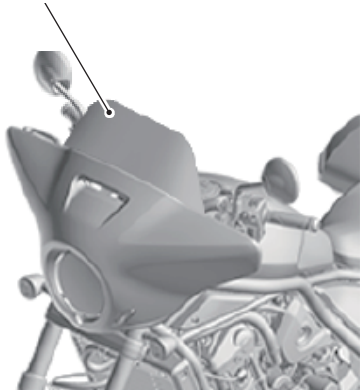
HEADLIGHT COWL



- Handle this accessory with care. It can be damaged when it is bent excessively or is subject to strong shock or impact.
- Park the motorcycle in the shade when it is to be left unattended in the summer for an extended period of time with a body cover placed over it.
- Failure to observe this precaution can cause this accessory to be deformed due to heat built up under the body cover.
- Select a firm, level surface when you park the motorcycle. Also bear in mind that strong wind can cause the motorcycle to topple to the ground.
- Check the accessory mounts frequently and retighten if necessary.
- When this accessory becomes dirty, rinse it thoroughly with cool water to remove loose dirt, then wipe with a clean cloth or sponge. Do not use a brush to clean this accessory as it may scratch the surface.
- Never use organic solvents such as gasoline, thinner or benzene to clean this accessory. Also do not use acid or alkaline cleaners.
- Wipe up spilled brake fluid at once as it may damage the plastic surface.

WINDSHIELD

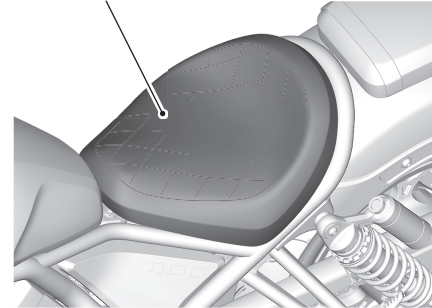
WINDSHIELD



- Handle this accessory with care. It can be damaged when it is bent excessively or is subject to strong shock or impact.
- Park the motorcycle in the shade when it is to be left unattended in the summer for an extended period of time with a body cover placed over it.
- Failure to observe this precaution can cause this accessory to be deformed due to heat built up under the body cover.
- Select a firm, level surface when you park the motorcycle. Also bear in mind that strong wind can cause the motorcycle to topple to the ground.
- Check the accessory mounts frequently and retighten if necessary.
- When this accessory becomes dirty, rinse it thoroughly with cool water to remove loose dirt, then wipe with a clean cloth or sponge. Do not use a brush to clean this accessory as it may scratch the surface.
- Never use organic solvents such as gasoline, thinner or benzene to clean this accessory. Also do not use acid or alkaline cleaners.
- Wipe up spilled brake fluid at once as it may damage the plastic surface.

MAIN SEAT

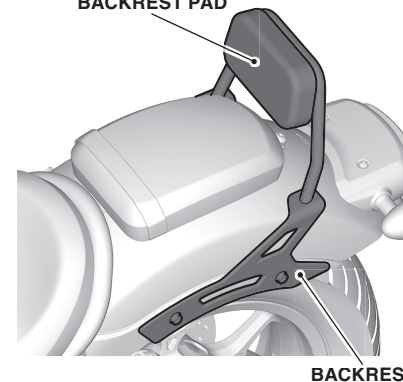
MAIN SEAT



- Check the accessory mounts frequently.
- Clean this accessory with a soft cloth soaked with a solution of mild detergent and water. Then wipe with a clean cloth soaked with water to clean dirt and detergent. Finally wipe dry with a soft, clean cloth.

BACKREST & PAD

BACKREST PAD



BACKREST

- Check the accessory mounts frequently and retighten if necessary.
- Clean this accessory with a soft cloth soaked with a solution of mild detergent and water. Then wipe with a clean cloth soaked with water to clean dirt and detergent. Finally wipe dry with a soft, clean cloth.

CMX1100A/A2/D/D2

Genuine Accessory User's Guide

SAFETY INFORMATION

The following sentences show the label meaning.
Some labels warn you of potential hazards that could cause serious injury.
Others provide important safety information.
Read this information carefully and don't remove the label.

If a label comes off or becomes hard to read, contact your Honda dealer for a replacement.

There is a specific symbol on each label. The meanings of each symbol and label are as follows.



Read the use and care information in installation instructions or genuine accessory user's guide carefully.
Read the **LOAD LIMITS AND GUIDELINES**, and **TYRES** sections in owner's manual.



DANGER (with RED background)

You **WILL** be **KILLED** or **SERIOUSLY HURT** if you don't follow instructions.

WARNING (with ORANGE background)

You **CAN** be **KILLED** or **SERIOUSLY HURT** if you don't follow instructions.

CAUTION (with YELLOW background)

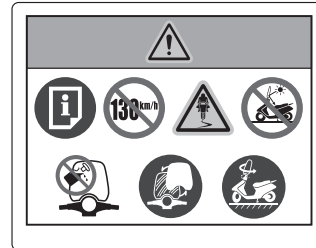
You **CAN** be **HURT** if you don't follow instructions.

Refer to this information for the meanings of the symbols shown on the accessory.

CARRIER WARNING LABEL



SCREEN WARNING LABEL



Never ride a motorcycle equipped with accessories and a cargo at speeds above 130 km/h (80 mph).



Added accessories and cargo can reduce a motorcycle's stability, performance and safe riding speed. A motorcycle's stability is influenced by an improper loading, worn or under-inflated tyres, the overall motorcycle condition and environmental conditions.



Do not park the motorcycle with the sun shining on the backside of the unit; the reflection may damage the motorcycle parts.



Never use organic solvents such as gasoline, thinner and benzene to clean this accessory. Also do not use acid or alkaline cleaners to clean.



Replace the windshield if clear vision is obstructed.



Select a firm, level surface when you park the motorcycle.
Also bear in mind that strong wind can cause the motorcycle to fall to the ground.



Regarding the maximum loading capacity.
Read the use and care information carefully in each of the accessory installation instructions or genuine accessory user's guide.